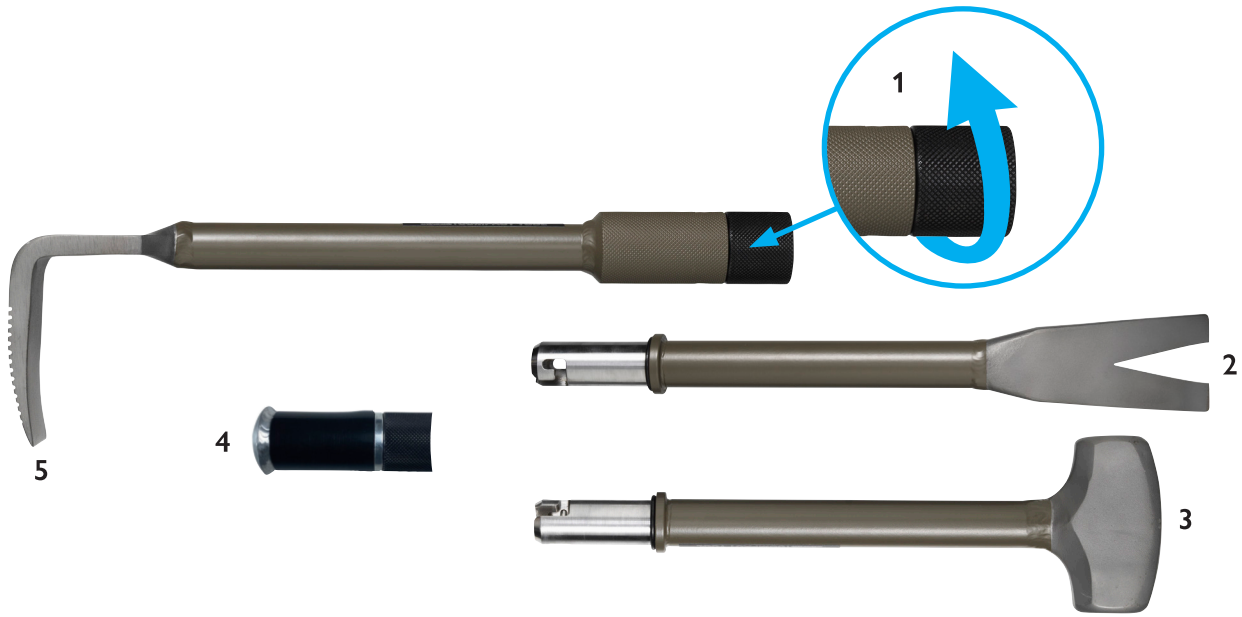




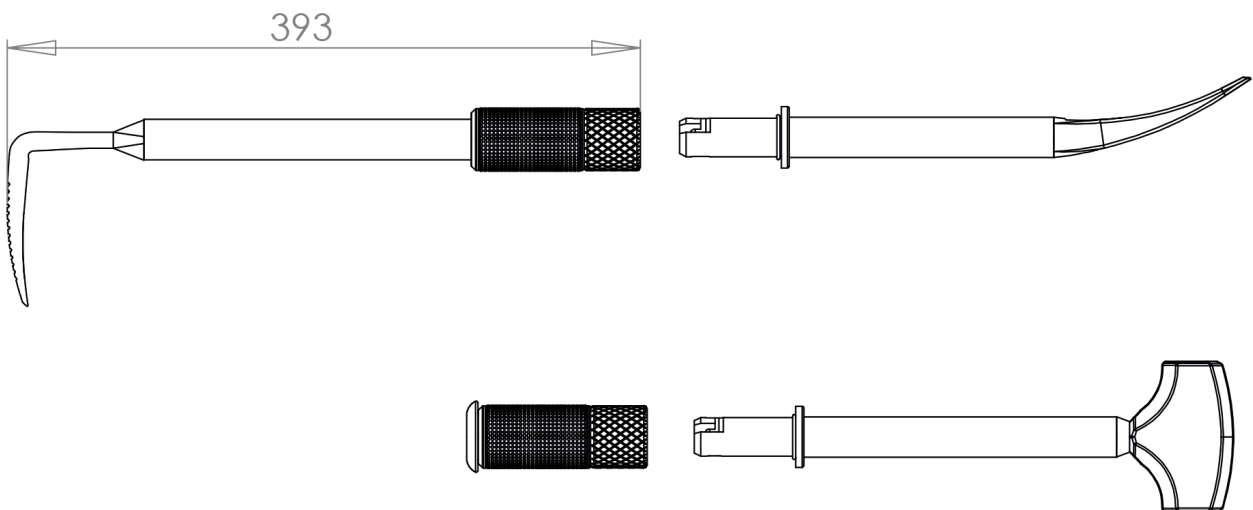
- The lightest and most versatile breaching kit on the market.
- Multi-function tool for both in and out going plastic, wood or steel doors. Optimize the tool and maximize the effect in a few seconds by using the SET QuickLock feature.
- The removeable handle with striking head can be used on both the sledge and the claw.
- Traction Teeth to minimize slippage and maximize displacement.
- Wedge shaped head for maximum separation of door and frame.
- Forked prybar end for high leverage prying.
- Made of high-strength, lightweight hydraulic pipe steel.
- Full hardened Swedish Steel Heads 51-HRC Hardness Rockwell C-Scale.
- Rust protected paint.
- The carrying systems (optional) allow the user to wear the tools as a leg holster, shoulder bag or on a plate carrier using the molle system. If the user desire a more covert solution, they can use our bag that is designed as a sling bag, backpack or to be put in a normal backpack.
- Grip-friendly structure for optimal grip.

Product information	
Prod Nr	50095
Prod Name	SP4 Compact Tools
HS code	
Nato stock nr	
Mateial	Steel
Color	Ranger green

Product weight	
Pry	1.91 kg
Sledge	1.76 kg
Claw	0.94 kg
Totally	4,61 kg (10,1 pound)
Package dimension	
Length	510 mm
Width	230 mm
Height	100 mm
Weight	5.3 kg



1. SET QuickLock. Quick and easy connection between the different tools.
2. Slim designed claw head
3. Sledge
4. Removeable handle with strike head. Can be used on both the sledge and the claw part.
5. Wedge shaped head with milled grooves



10032 Holster for SP4 Compact Tool



Holster complete with 3 holders and belt adapters.

Product information

Prod Nr	10032
Prod Name	Holster for SP4 Compact Tool

10047 Single pocket for SP4 Compact Tool



Product information

Prod Nr	10047
Prod Name	Single pocket for SP4 Compact Tool

10039 Bag for SP4 Compact Tool



Product information

Prod Nr	10039
Prod Name	Bag for SP4 Compact Tool

10041 Belt adapter for SP4 Compact Tool



Product information

Prod Nr	10041
Prod Name	Belt adapter for SP4 Compact Tool